

DETAIL OF FRAME & GRATE
AT SECTION A-A

SUITABLE LUGS SHALL BE PROVIDED
FOR SECURING CURB BOX.

BID ITEM AND UNIT TO BID
CURB BOX INLET TYPE F

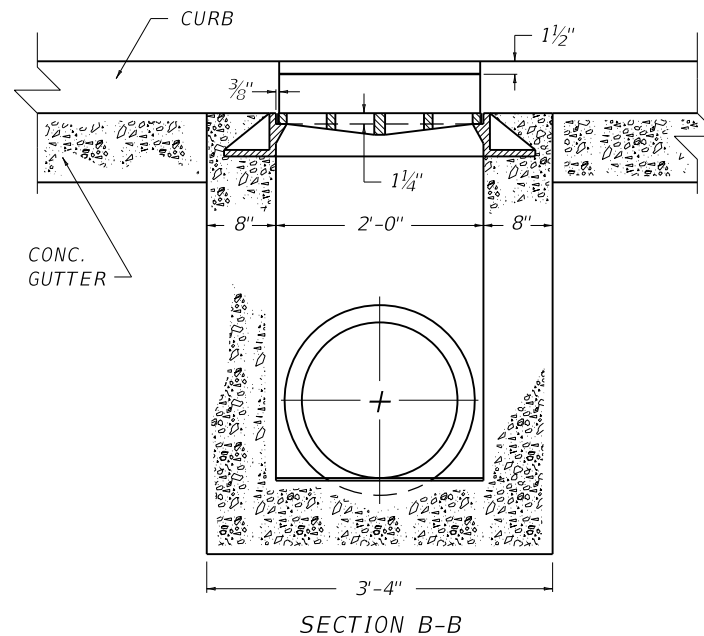
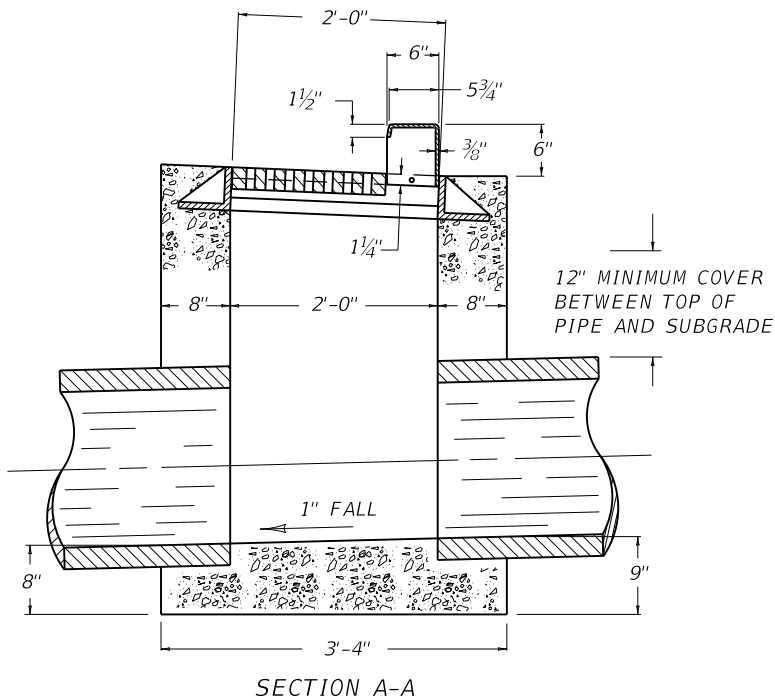
EACH

APPROXIMATE QUANTITIES

PIPE SIZE	MIN. HEIGHT	CU. YDS. CONC.
15"	4'-0"	1.15
18"	4'-3"	1.22

CURB FRAME WEIGHT = 61 LBS.
FRAME WEIGHT = 277 LBS.
GRATE WEIGHT = 127 LBS.

NO DEDUCTIONS HAVE BEEN MADE FOR PIPE.



KENTUCKY
DEPARTMENT OF HIGHWAYS

CURB BOX INLET
TYPE F

STANDARD DRAWING NO. RDB-320-06

SUBMITTED *[Signature]* 12-01-15
DATE
APPROVED *[Signature]* 12-01-15
DATE